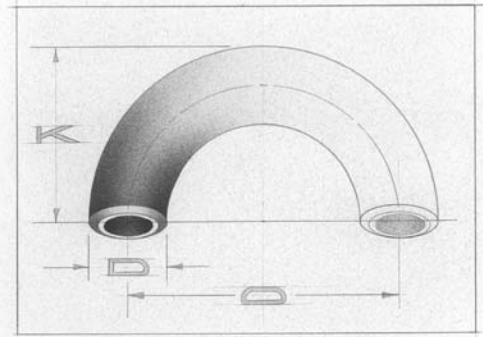
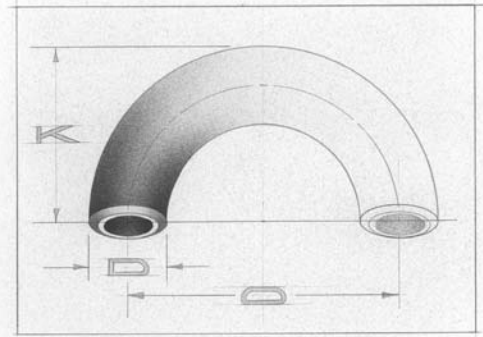


Long Radius 180° ELBOWS



Key				Nominal Wall Thickness: inches mm Inside Diameter: inches mm Approximate Weight: Pounds (see page 3 for Kg)													
				Schedule													
Nominal Pipe Size	"D" Outside Diameter at Bevel	"O" Center-to-Center	"K" Back-to-Face	L.W.G.	10	20	30	40	STD WT	60	XS	80	100	120	140	160	XXS
inches mm	inches mm	inches mm	inches mm														
½"	.84	3.00	1.88	-	-	-	-	.109	.109	-	.147	.147	-	-	-	.188	.294
				-	-	-	-	2.769	2.769	-	3.734	3.734	-	-	-	4.775	7.468
				-	-	-	-	.622	.622	-	.546	.546	-	-	-	.464	.252
				-	-	-	-	15.799	15.799	-	13.868	13.868	-	-	-	11.786	6.401
				-	-	-	-	0.3	0.3	-	0.5	0.5	-	-	-	-	-
¾"	1.05	3.00	2.00	-	-	-	-	.113	.113	-	.154	.154	-	-	-	.219	.308
				-	-	-	-	2.870	2.870	-	3.912	3.912	-	-	-	5.563	7.823
				-	-	-	-	.824	.824	-	.742	.742	-	-	-	.612	.434
				-	-	-	-	20.930	20.930	-	18.847	18.847	-	-	-	15.545	11.024
				-	-	-	-	0.3	0.4	-	0.5	0.5	-	-	-	-	-
1"	1.32	3.00	2.19	-	-	-	-	.133	.133	-	.179	.179	-	-	-	.250	.358
				-	-	-	-	3.378	3.378	-	4.547	4.547	-	-	-	6.350	9.093
				-	-	-	-	1.049	1.049	-	.957	.957	-	-	-	.815	.599
				-	-	-	-	26.645	26.645	-	24.308	24.308	-	-	-	20.701	15.215
				-	-	-	-	0.8	0.8	-	1.0	1.0	-	-	-	1.3	-
1½"	1.66	3.75	2.75	-	-	-	-	.140	.140	-	.191	.191	-	-	-	.250	.382
				-	-	-	-	3.556	3.556	-	4.851	4.851	-	-	-	6.350	9.703
				-	-	-	-	1.380	1.380	-	1.278	1.278	-	-	-	1.160	.896
				-	-	-	-	35.052	35.052	-	32.461	32.461	-	-	-	29.464	22.758
				-	-	-	-	1.0	1.0	-	1.5	1.5	-	-	-	2.0	-
1½"	1.90	4.50	3.25	-	-	-	-	.145	.145	-	.200	.200	-	-	-	.281	.400
				-	-	-	-	3.683	3.683	-	5.080	5.080	-	-	-	7.137	10.160
				-	-	-	-	1.610	1.610	-	1.500	1.500	-	-	-	1.338	1.100
				-	-	-	-	40.894	40.894	-	38.100	38.100	-	-	-	33.985	27.940
				-	-	-	-	1.5	1.5	-	2.0	2.0	-	-	-	3.5	-
2"	2.38	6.00	4.19	-	-	-	-	.154	.154	-	.218	.218	-	-	-	.344	.436
				-	-	-	-	3.912	3.912	-	5.537	5.537	-	-	-	8.738	11.074
				-	-	-	-	2.067	2.067	-	1.939	1.939	-	-	-	1.687	1.503
				-	-	-	-	52.502	52.502	-	49.251	49.251	-	-	-	42.850	38.176
				-	-	-	-	3.0	3.0	-	4.0	4.0	-	-	-	6.5	9.7
2½"	2.88	7.50	5.19	-	-	-	-	.203	.203	-	.276	.276	-	-	-	.375	.552
				-	-	-	-	5.156	5.156	-	7.010	7.010	-	-	-	9.525	14.021
				-	-	-	-	2.469	2.469	-	2.323	2.323	-	-	-	2.125	1.771
				-	-	-	-	62.713	62.713	-	59.004	59.004	-	-	-	53.975	44.983
				-	-	-	-	6.0	6.0	-	7.5	7.5	-	-	-	12.0	13.4
3"	3.50	9.00	6.25	-	-	-	-	.216	.216	-	.300	.300	-	-	-	.438	.600
				-	-	-	-	5.486	5.486	-	7.620	7.620	-	-	-	11.125	15.240
				-	-	-	-	3.068	3.068	-	2.900	2.900	-	-	-	2.624	2.300
				-	-	-	-	77.927	77.927	-	73.660	73.660	-	-	-	66.650	58.420
				-	-	-	-	9.0	9.0	-	12.0	12.0	-	-	-	18.0	22.5

Long Radius 180° ELBOWS



Key				Nominal Wall Thickness: inches mm Inside Diameter: inches mm Approximate Weight: Pounds (see page 3 for Kg)														
				Schedule														
Nominal Pipe Size	"D" Outside Diameter at Bevel	"O" Center-to-Center	"K" Back-to-Face	L.W.G.	10	20	30	40	STD WT	60	XS	80	100	120	140	160	XXS	
inches mm	inches mm	inches mm	inches mm															
3½"	4.00	10.50	7.25	-	-	-	-	.226	.226	-	.318	.318	-	-	-	-	.636*	
				-	-	-	-	5.740	5.740	-	8.077	8.077	-	-	-	-	16.154	
				-	-	-	-	3.548	3.548	-	3.364	3.364	-	-	-	-	-	2.728
				88.90	101.60	266.70	184.15	-	-	-	-	90.119	90.119	-	85.446	85.446	-	-
				-	-	-	-	12.5	12.5	-	17.0	17.0	-	-	-	-	32.5	
4"	4.50	12.00	8.25	.188	-	-	-	.237	.237	-	.337	.337	-	.438	-	.531	.674	
				4.775	-	-	-	6.020	6.020	-	8.560	8.560	-	11.125	-	13.487	17.120	
				4.124	-	-	-	4.026	4.026	-	3.826	3.826	-	3.624	-	3.438	3.152	
				101.60	114.30	304.80	209.55	104.749	-	-	-	102.260	102.260	-	97.180	97.180	-	92.050
				-	-	-	-	17.0	17.0	-	23.5	23.5	-	30.0	-	38.0	40.5	
5"	5.56	15.00	10.31	-	-	-	-	.258	.258	-	.375	.375	-	.500	-	.625	.750	
				-	-	-	-	6.553	6.553	-	9.525	9.525	-	12.700	-	15.875	19.050	
				-	-	-	-	5.047	5.047	-	4.813	4.813	-	4.563	-	4.313	4.063	
				127.00	141.22	381.00	261.87	-	-	-	-	128.194	128.194	-	122.250	122.250	-	115.900
				-	-	-	-	28.5	28.5	-	40.0	40.0	-	55.0	-	66.0	76.0	
6"	6.63	18.00	12.31	.219	-	-	-	.280	.280	-	.432	.432	-	.562	-	.719	.864	
				5.563	-	-	-	7.112	7.112	-	10.973	10.973	-	14.275	-	18.263	21.946	
				6.187	-	-	-	6.065	6.065	-	5.761	5.761	-	5.501	-	5.187	4.897	
				152.40	168.40	457.20	312.67	157.150	-	-	-	154.051	154.051	-	146.329	146.329	-	139.725
				30.8	-	-	-	46.0	46.0	-	67.0	67.0	-	86.4	-	118.0	126.0	
8"	8.63	24.00	16.31	.219	-	.250	.277	.322	.322	.406	.500	.500	.594	.719	.812	.906	.875	
				5.563	-	6.350	7.036	8.179	8.179	10.312	12.700	12.700	15.088	18.263	20.625	23.012	22.225	
				8.187	-	8.125	8.071	7.981	7.981	7.813	7.625	7.625	7.437	7.187	7.001	6.813	6.875	
				203.20	219.20	609.60	414.27	207.949	-	206.375	205.003	202.717	202.717	198.450	193.675	193.675	188.900	182.550
				60.0	-	67.5	81.0	90.0	90.0	115.0	138.0	138.0	175.0	212.0	226.0	254.0	240.0	
10"	10.75	30.00	20.38	.219	-	.250	.307	.365	.365	.500	.500	.594	.719	.844	1.000	1.125	1.000	
				5.563	-	6.350	7.798	9.271	9.271	12.700	12.700	15.088	18.263	21.438	25.400	28.575	25.400	
				10.312	-	10.250	10.136	10.020	10.020	9.750	9.750	9.562	9.312	9.062	8.750	8.500	8.750	
				254.00	273.05	762.00	517.65	261.925	-	260.350	257.454	254.508	254.508	247.650	247.650	242.875	236.525	230.175
				104.0	-	112.0	136.0	156.0	156.0	215.0	215.0	267.0	324.0	375.0	456.0	540.0	222.250	
12"	12.75	36.00	24.38	.250	-	.250	.330	.406	.375	.562	.500	.688	.844	1.000	1.125	1.312	1.000	
				6.350	-	6.350	8.382	10.312	9.525	14.275	12.700	17.475	21.438	25.400	28.575	33.325	25.400	
				12.250	-	12.250	12.090	11.938	12.000	11.626	11.750	11.374	11.062	10.750	10.500	10.126	10.750	
				304.80	323.85	914.40	619.25	311.150	-	311.150	307.086	303.225	304.800	295.300	298.450	288.900	280.975	273.050
				157.0	-	157.0	212.0	248.0	236.0	349.0	300.0	397.0	490.0	610.0	740.0	920.0	-	

*Not given in ASME B36.10